

MATERIALS HANDLING



CONTECHS

LIMITLESS POSSIBILITIES

## MATERIALS HANDLING

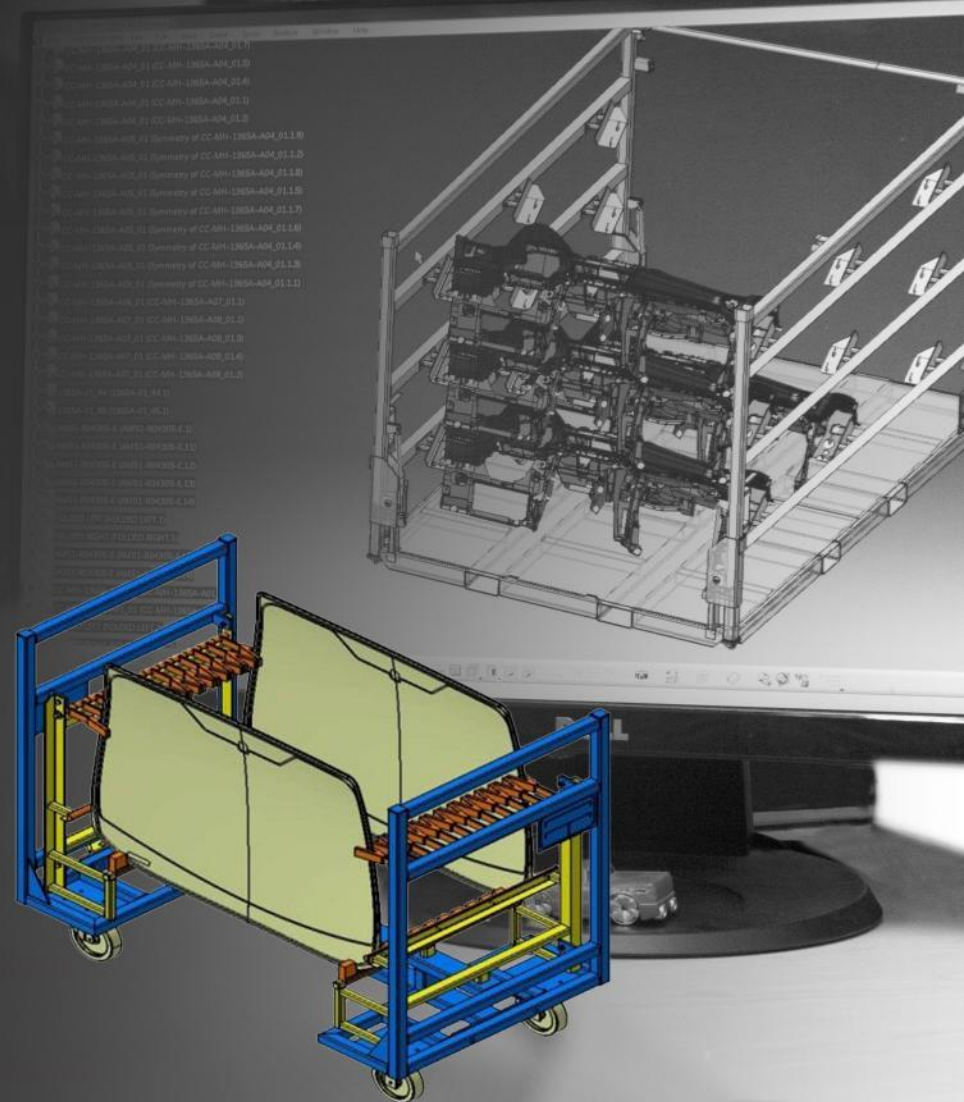
# MATERIALS HANDLING SERVICES

Contechs Materials Handling designs and manufactures a wide range of bespoke racking & component shipping systems and in-plant handling equipment. The range of products includes pallets, racks and trailers. All are designed to customer requirements for secure and efficient handling of components, all the way from the point of manufacture to the point of fit.

Component shipping systems include steel racks that can be folded for easy return and standard containers. Both can be equipped with internal fittings designed to support and protect the specific parts being carried, using injection moulded plastics, polyurethane mouldings, fabric dunnage or laser-cut foams as appropriate.

Contechs also offers a comprehensive range of in-plant handling services. These include component sequencing delivery systems, interfaces with production line mechanical and robotic handling systems, plant layout design and line-side kitting of components to meet the complex production line demands of multiple vehicle variants.

Clients benefit from a complete, fully managed service from initial design through to manufacture and installation.



LIMITLESS POSSIBILITIES

## MATERIALS HANDLING

# FULL SERVICE DELIVERY

### FULL SERVICE DELIVERY

Contechs Materials Handling provides high-end, solution-based managed services to its clients. With the benefit of extensive experience in system design and manufacturing

### PROGRAM MANAGEMENT

Contechs can assure efficient, co-ordinated program delivery using the Global Product Development System (GPDS) that is used as the industry standard by OEMs to execute vehicle programs.

### DESIGN & ENGINEERING

Contechs' use of CAD data on the components and assemblies to be carried in its handling systems allows for optimum design quality to be achieved, producing racks that are ideally engineered for purpose.

### MANUFACTURING & SUPPLY

Contechs has an established network of suppliers in the UK, Europe, Turkey and China for volume rack manufacturing and has identified those which are best suited to producing different types of rack fleets and handling systems.

### MANUFACTURING & SUPPLY

Contechs Materials Handling can help customers develop more efficient and flexible production lines by designing systems that take into account the space available line-side and parts sequencing processes

